

IEEE DySPAN-SC and IEEE 1900 Standards Working Groups: Update for IEEE TCCN Meeting at IEEE ICC 2019

Oliver Holland, Advanced Wireless Technology Group, Ltd.
(IEEE DySPAN-SC Chair)

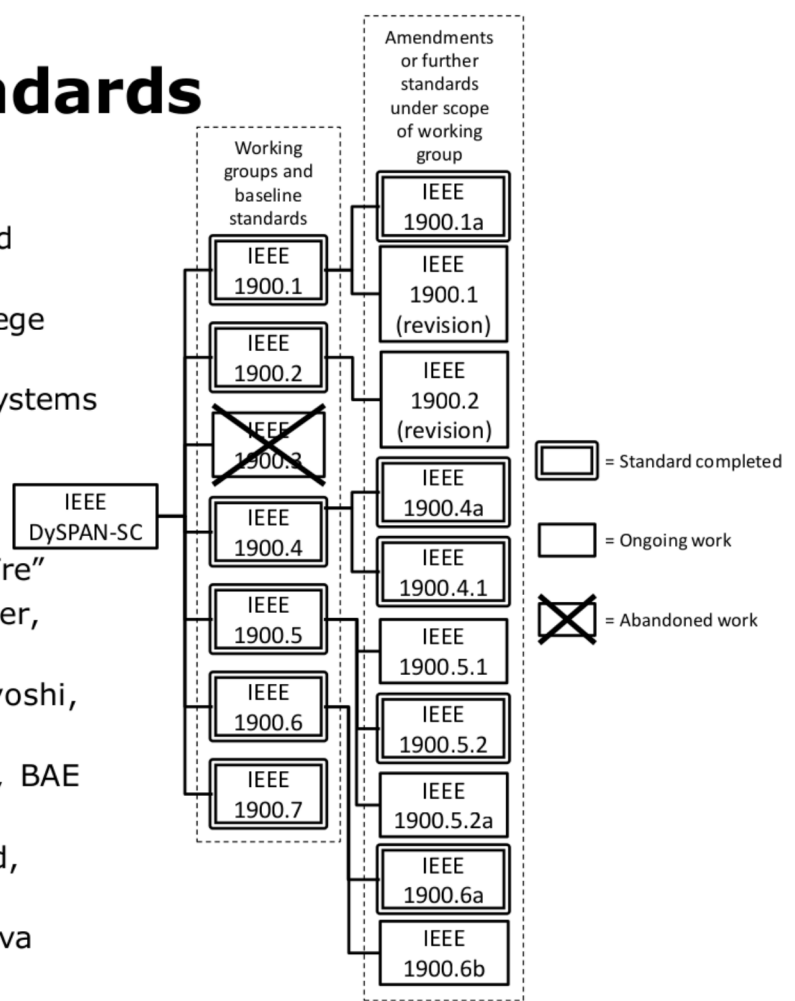
22 May 2019

Shanghai, China

Structure and Standards

Sponsors IEEE 1900 working groups on "Dynamic Spectrum Access Networks" and related technologies. Leadership:

- Chair: Oliver Holland, King's College London
- Vice-Chair: Mat Sherman, BAE Systems
- Secretary: Alex Lackpour, NOAA
- Treasurer: Lynn Grande,
- IEEE 1900.1 Chair: Francesco Benedetto, University of Roma "Tre"
- IEEE 1900.2 Chair: Stephen Berger, TEM Consulting
- IEEE 1900.4 Chair: Masayuki Ariyoshi, NEC
- IEEE 1900.5 Chair: Mat Sherman, BAE Systems
- IEEE 1900.6 Chair: Oliver Holland, King's College London
- IEEE 1900.7 Chair (Acting): Apurva Mody, BAE Systems



Status of Working Groups

IEEE 1900.1

- Work on a revision of the IEEE 1900.1-2008 standard, considering all aspects: Updates to (incl. new/deleted) terms/definitions, supporting materials (e.g., explanatory material on the relationship between concepts), structuring, etc.
- Completed draft and Letter Ballots, and achieved 100% approval in first Sponsor Ballot—minimal recirculation ballot undertaken
- Completed recently and published based on this

IEEE 1900.2

- Reinitiated to consider revisions to baseline standard. We were uncertain initially on taking this path, but found that the standard is achieving significant impact from IEEE sales figures, so took it based on that
- Working closely with work/contributions in ANSI C63—Chair of 1900.2 is also leading there. Specifics of interaction being considered (e.g., absorption/collaboration of work; merging of members into 1900.2 work in the best way possible—of course, keeping in mind GDPR requirements)

IEEE 1900.4

- Currently in hibernation pending new work items or revision of its current published IEEE 1900.4, 1900.4a, and 1900.4.1 standards

Status of Working Groups

IEEE 1900.5

- Work continues on 1900.5.1 standard, "Policy Language for Dynamic Spectrum Access Systems", started in December 2011. PAR expires December 2019 (extended). First Internal Letter Ballot complete; comments/draft being revised
- 1900.5.2 "Standard Method for Modeling Spectrum Consumption" completed, including Sponsor Ballot IEEE-SA Revcom approval; published in June
- Work being undertaken on 1900.5.2a PAR "Spectrum Consumption Modeling Schema" approved in 1 May NesCom meeting

IEEE 1900.6

- Working on 1900.6b amendment standard on sensing support for spectrum databases (e.g., geolocation databases in the TV white space case, SAS in CBRS case, or more general databases, etc.)
- Completed second draft and second internal letter ballot; comments resolved; will complete and submit to Sponsor Ballot ASAP

IEEE 1900.7

- 1900.7-2015 published in February 2016
- Considering and internally approved (also at DySPAN-SC level) a new project (IEEE P1900.7a) as an amendment standard on advanced QoS considerations. Not undertaken as unsure demand. Therefore placed into hibernation


P&Ps

Work on Updating P&Ps at the Committee and Working Group levels much needed

- At the Committee level because the mode of operation of the Committee is no longer in line with the P&Ps, and to bring into line with the updated AudCom baseline
- At the Working Group level to bring into line with AudCom baseline

Have been distributed to DySPAN-SC and Working Groups for consideration – minor feedback incorporated. Also DySPAN-SC considered.

Both approved in 27-29 November meeting of DySPAN-SC. Will forward DySPAN-SC ones to AudCom. Approved P&Ps as follows:

Committee: 
Microsoft Word
7 - 2003 Documer

Working Group: 
Microsoft Word
7 - 2003 Documer

Upcoming Meetings and Links to Contribute

Upcoming meetings:

- Online, 23-25 July 2019

For further information, please visit: www.dyspan-sc.org, or contact:

- Oliver Holland, DySPAN-SC Chair and ComSoc Standards Liaison, oliver.holland@kcl.ac.uk; Alex Lackpour, DySPAN-SC Secretary, alackpour@gmail.com; Lynn Grande, DySPAN-SC Treasurer, lynngrande@hotmail.com
- Active working group Chairs: 1900.1 – Francesco Benedetto, francesco.benedetto@uniroma3.it; 1900.2 – Stephen Berger, stephen.berger.temconsulting@gmail.com; 1900.5 – Tony Rennier, trennier@foundryinc.com; 1900.6 – Oliver Holland, oliver.holland@kcl.ac.uk

Thank you!